

Rail in a Box fitting instructions

Components

axxys® Rail in a Box can be installed onto any vertical wall or surface using the appropriate fixings, to provide a sleek yet strong handrail solution. The available kit (RBOPC) includes the followings parts;

- 5 x Wall Patrice
- 1 x Right Hand Connector
- 1 x Left Hand Connector
- 3 x Intermediate Connector
- 4 x 1m Handrail

Standard 13 Tread Flight

To install **axxys® Rail in a Box** onto a typical 13 tread staircase, starting at the bottom of the flight, you must first measure and mark the 5 x Wall Patrice positions onto the wall. Starting from the first tread nosing, measure vertically a distance of 900mm and mark on the wall, making sure the mark is vertically level with the tread nosing using a spirit level (Fig. 1). Next repeat this at the top of the flight, using the last tread nosing which leads onto the landing as your starting point (Fig. 2).

Now strike a plumb line through the two points, using a suitable marking tool that can be easily removed or a piece of taught string, this plumb line will enable you to mark the other Wall Patrices in the correct position. Next you must measure the length of this line between the two vertical points that you have marked (x in the equation), then divide this number by 4 ensuring the result (y in the equation) is not more than 1000mm, and using your measurement mark these other centre positions along the line (Fig. 3).

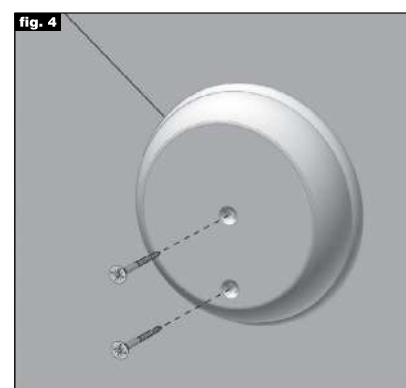
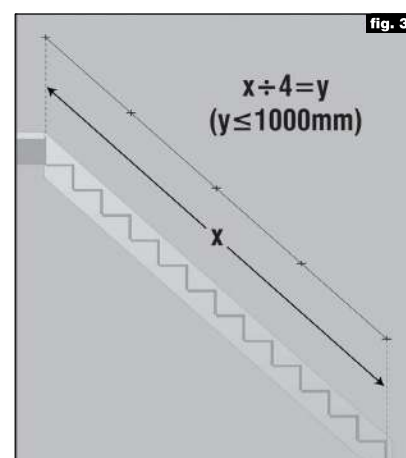
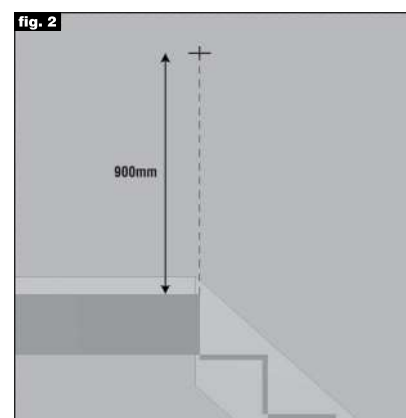
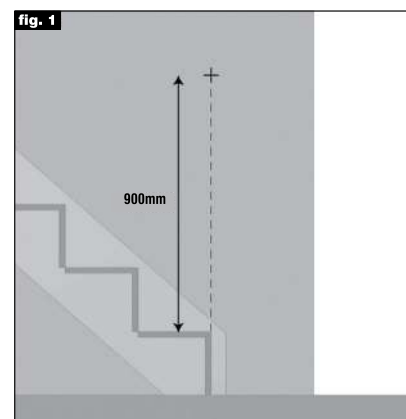
Next you must cut the lengths of Handrail down if the result of your calculated measurement is less than 1000mm. Using a suitable saw, mark and cut each length of Handrail down to your measurement, ensuring the cuts are accurate and level.

Now starting at the bottom using your first marked position, drill and secure the first Wall Patrice onto the wall using appropriate fixings (Fig. 4).

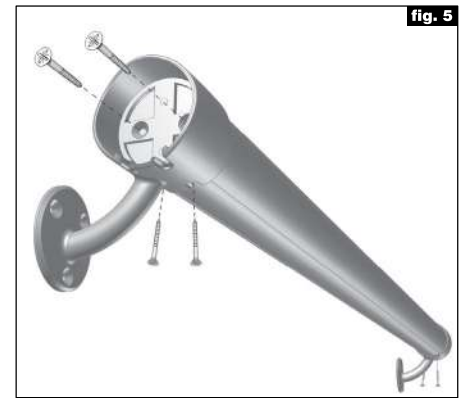
Please Note;

Always remember to drill pilot holes with a suitably sized drill bit when fixing screws into timber, as this will prevent damage to the screw head and ensure an easier fit. This is especially important when working with any variant of Hardwood (Oak, Sapele, Ash etc).

Repeat this and fix the next Wall Patrice moving up the stairs.



Next you can assemble a LH or RH Connector (depending on the orientation of your stairs) with a length of Handrail and an Intermediate connector using the fixing screws provided, making sure you have 2 screws going into the end grain and 2 screws underneath at the Intermediate Connector (Fig. 5).



Once the first section of the Handrail is assembled and securely tightened you can now offer this up to the Wall Patrices and fix using the screws provided, ensuring the connectors are mounted centrally and in line with the Wall Patrices (Fig. 6).

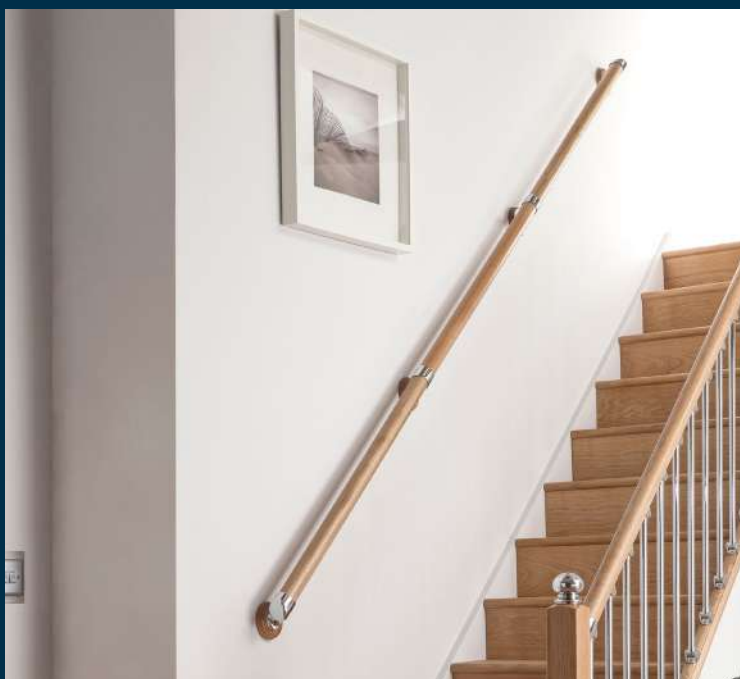
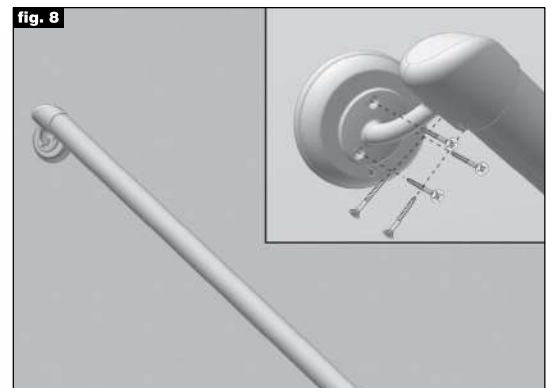
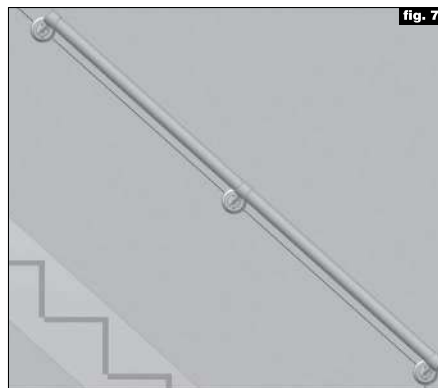
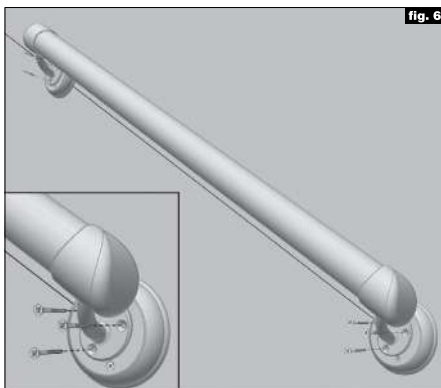
Continue up the stairs using the same procedure as before for assembling the next length of Handrail & Connectors.

Once assembled the second section can be inserted into the Intermediate connector of the first section and secured, making sure that it lines up with the Wall Patrice centrally before fixing (Fig. 7).

Once you are up to the final length of handrail, terminate the end using either LH or RH Connector and mount this to your last Wall Patrice, ensuring it is lined up with all marks and level in relation to all other Handrail sections (Fig. 8).

You have now completed the installation of the **axxys® Rail in a Box**, you can now remove the original marked plumb line and check all fixings are secure and tightened.

Cleaning of the product can be done with a damp cloth or a lint free dry cloth depending on the level of cleaning required. Avoid the use of heavy detergents as this can damage the finish to the timber components.



Unit 7, Normans Road,
Sutton, St Helens
WA9 4JQ

01744 811 545

www.cheshiremouldings.co.uk

www.planyourstairs.co.uk

axxys © 2009 axxys is a registered trademark of
Cheshire Mouldings Ltd.

 **CHESHIRE**
mouldings
Love the home you're in

 **axxys**TM