



fitting instructions
axxys® clarity



axxys® clarity stair balustrade infill is a UK and International Patent and Design Registration pending product, enabling the end user to install a 'glass look' infill balustrade without the need to remove any of the newel, hand & base rail framework.

'Glass Look' Acrylic Panels are fixed into place using our patent pending two piece aluminium channel and end caps, locking firmly into place when positioned into the hand and base rail profile of any **axxys®** stairpart system.

The **axxys® clarity** system can also be installed into most non **axxys®** hand and base rails, making it a very versatile system.

These components once assembled form an innovative balustrade solution that can be adjusted to suit any staircase pitch between 38° & 45°.

Please Note;

Cheshire Mouldings **axxys® clarity** is a factory pre finished system, therefore when handling and installing please take extra care in order to not damage the finish.

Please Check;

All components should be inspected BEFORE installation commences for any damage, as Cheshire Mouldings cannot be held responsible for any damage caused during installation.

axxys® clarity is designed for use in domestic situations and will fit most closed stair cases with hand rail heights of 900mm on the rake and 900mm on the landings.

If fitting to a new or existing **axxys® origin** or **evolution** stair system, and your staircase length is longer than 3.7m (measured between inside newel faces), please ensure you have an Intermediate Newel Post installed.

New & Existing Standard Stair Systems

axxys® clarity has been designed to fit directly into most stair balustrade systems that use traditional hand and base rails. Providing you have a footprint area greater than 35mm in your hand and base rails, then the **axxys® clarity** system will fit into your existing staircase. Simply remove your existing spindles if present and follow the same instructions as follows, remembering that any reference to the **axxys®** hand and base rail groove will not apply to you.

axxys® clarity fitting instructions

New & existing **axxys®** stair systems

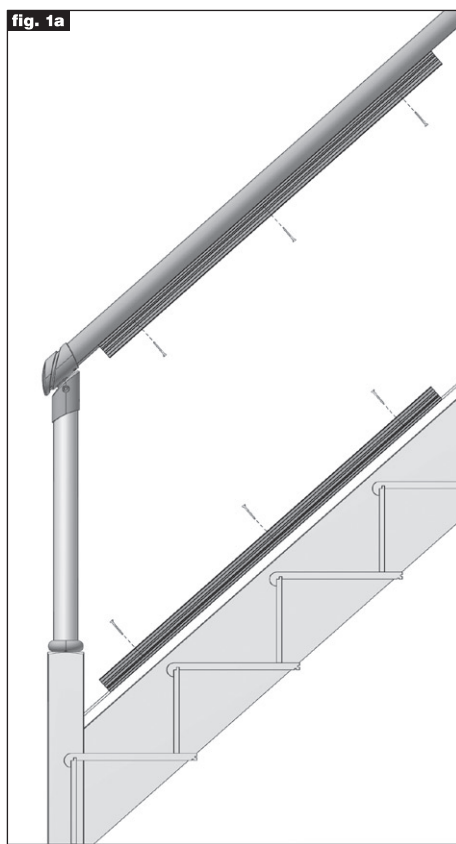
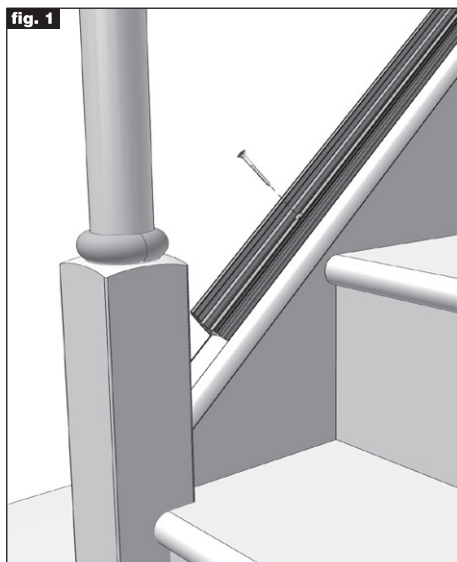
axxys® clarity has also been designed to fit directly into the Cheshire Mouldings range of **axxys®** stairparts, utilizing the patented groove system to achieve a perfect fit. It can be installed at the same time as the rest of the system, or as a retrofit infill if you already have an **axxys®** system installed. In this instance simply remove the spindles and the **axxys® clarity** Channel will cover any previous fixing holes.

Installing the Clarity Channel

Please Note;

axxys® clarity can be installed using the existing hand and base rails, even with them in position. Ensure you install the channel with the open/hinged face pointing inwards towards the staircase.

First you must install the 'L' shaped half of the **axxys® clarity** channel along the full length of the hand and base rails (ensuring the open face points inwards towards the stairs). Starting at the bottom newel, position the first length of channel onto the base rail with a minimum gap of 80mm and a maximum gap of 135mm, from the newel face to the bottom of the channel. Once in position secure with the 45mm screws provided and repeat this for the hand rail channel (Fig. 1 & Fig. 1a).



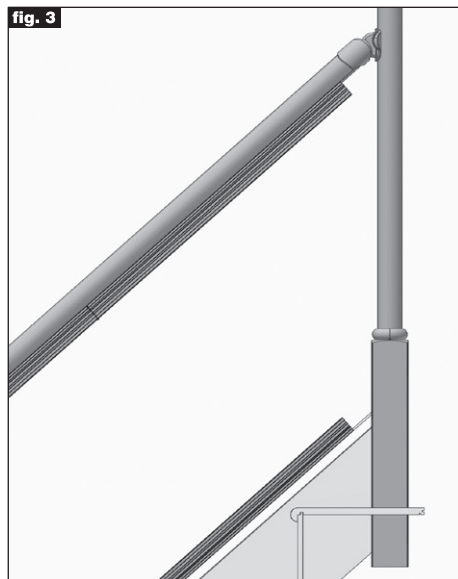
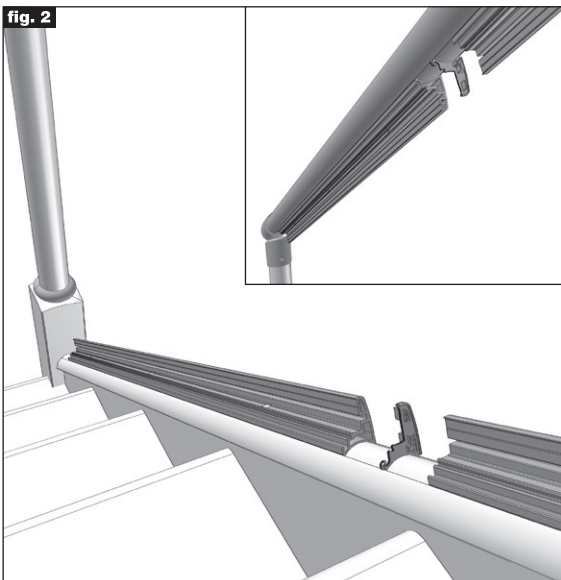
axxys[®] clarity fitting instructions

Before you can install another length of channel, an Intermediate Cap must be installed.

The Intermediate Cap comes in two parts the same as the channel and has fixing lugs for ease of installation. Simply insert the 'L' shaped part of the cap into the end of the channel and you're now ready to install another length of channel (Fig. 2).

Continue up the stairs installing channel lengths and caps, both to the hand and base rails until you reach the top newel or an intermediate newel if you have one.

In most installations you will now need to cut the channel to length, ensuring a minimum gap of 50mm and a maximum gap of 120mm are observed. Simply measure and cut to length at an angle of 90° using a fine tooth metal hacksaw or



metal cross cut saw, then proceed to install in the same way as the others (Fig. 3)

Landing installations will require a minimum gap of 55mm and a maximum gap of 100mm at each terminating end.

Installing the Acrylic Panels

Please Note:

When cutting the Acrylic Panels make sure you use a fine tooth hand saw, upcutting jigsaw or cross cut saw to ensure a clean cut edge. The Acrylic Panels are pre cut to an angle of 41.5° to suit most staircases, however they have been manufactured oversize to allow for any angle between 38° and 45° to be achieved.

With one half of the channel in place, you are now ready to install the Acrylic Panels. First using the supplied gasket material, adhesive side down, apply to the top and bottom channels in the gasket

axxys® clarity fitting instructions

grooves as shown (Fig. 4). With the gasket applied to all channels, now measure the pitch angle of your stairs, so you can cut the acrylic to the correct size.

Starting with the bottom of the panel, measure and cut the correct angle so that it will sit into the channel with the vertical edge perfectly level with the newel, with a minimum gap of 40mm measured from the newel base and a maximum gap of 99mm measured at the widest point (Fig. 5).

Now place the bottom of the panel into the channel and mark the top in line with the handrail channel, draw a line connecting the marks and cut the panel to this line. If installing into a new axxys staircase and no handrail is yet present, the vertical edge of the Acrylic must be no less than 775mm, in order to achieve the correct building regulation hand rail height (Fig. 5).

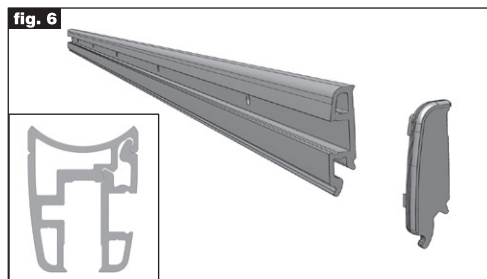
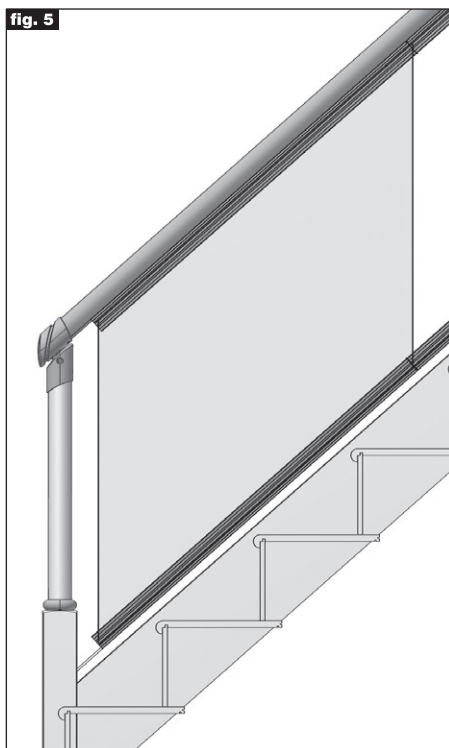
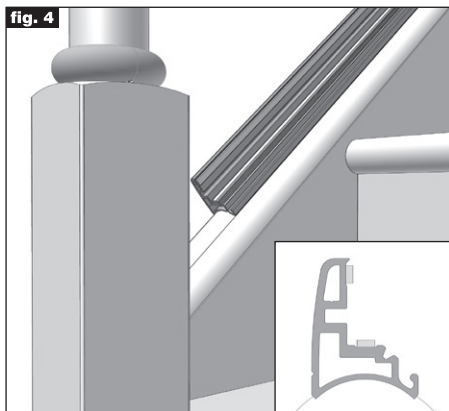
Finally place the panel into the channel ready for the second half of the Channel Extrusion to be installed.

Securing the Acrylic Panels

Please Note;

Make sure you place the Acrylic Panel onto a block of wood prior to drilling, to prevent the acrylic from blowing out at the back of the drilled holes.

Now install the second half of the axxys® clarity Channel, this is done by first inserting the other half of the Intermediate Cap into the end of the small channel, now insert the small channel and cap into the mating part of the 'L' shaped channel. (Fig. 6)



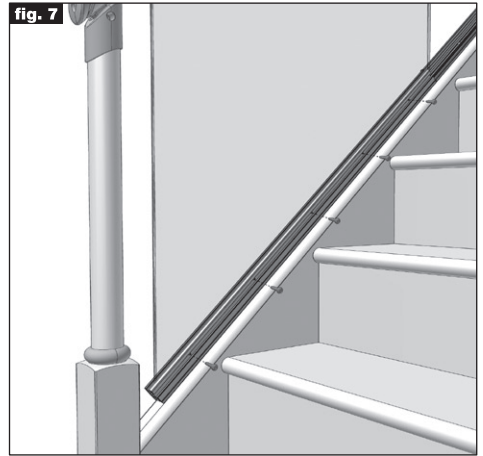
axxys[®] clarity fitting instructions

Please Note;

To make fitting easier, make sure the acrylic panels fill the channel and go past the join before securing the small channel section. It's best to drill and put the next acrylic panel into place, before securing a length of small channel section, so you are always ahead of yourself with the acrylic panels.

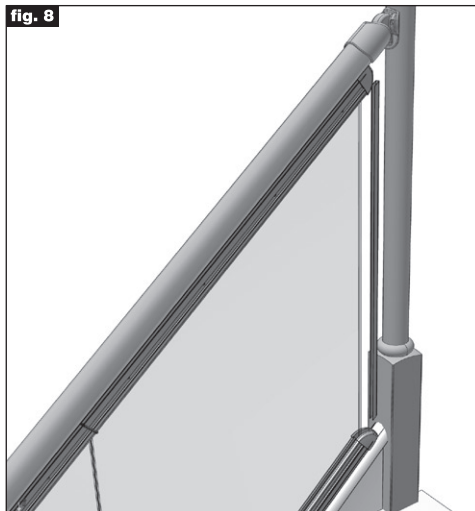
With the channel in position, mark through the holes onto the acrylic, then remove the panel and drill the holes using a 5mm bit, remembering to place the acrylic onto a block of wood before drilling through.

Next you can secure using the self tapping screws provided, making sure not to over tighten and that you have passed the join as stated above. Repeat this process for all holes top and bottom (Fig. 7)



Remaining Panels, End Caps and Covering Strips

You can now repeat the steps above for the remaining Acrylic Panels, working your way up the stairs until you reach the top newel. You will probably have to cut the final Acrylic Panel in the vertical, for it to achieve the same gap as the bottom. The only way around this is to use a combination of different sized panels (300, 600 & 1000mm available), to see if this will suit your installation.



Please Note;

To ensure a clean cut when working with the Acrylic Panels, always use a fine tooth handsaw, upcutting jigsaw or cross cut saw.

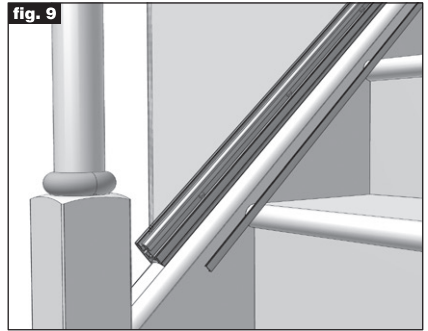
If you do have to cut the top panel you can cover the cut with our Acrylic Panel End Strip, one can also be fitted on the first panel you installed so that it matches.

The pitch angle will need to be cut at either end of the Acrylic Panel End Strip, once you have measured the distance between top and bottom channel (Fig. 8).

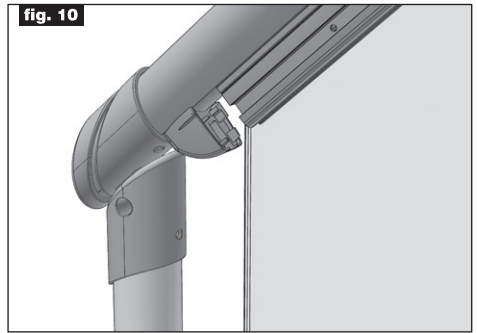
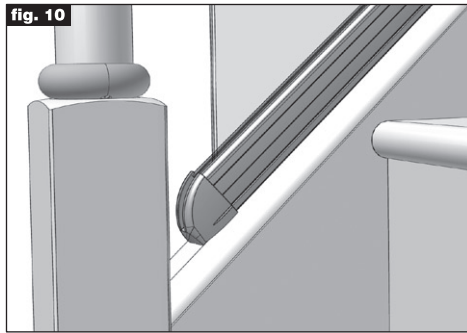
Optionally you could have the final acrylic panel cut, re-chamfered and polished to match the original finish, this way you wouldn't have to use the acrylic end strips and would retain the 'glass look' edge finish.

axxys[®] clarity fitting instructions

Once all Panels are fixed into place you can now install the Channel Covering Strips, which simply push fit into the recess. To ensure a good secure fit, it is best to use some silicone adhesive to additionally secure the covering strip, just apply the silicone adhesive to the tops of the screw heads before pushing the strip into place (Fig. 9).



With all the cover strips installed, you can now fit the Channel End Caps. This is done by placing the correct end cap (remember they are handed) onto the hand or base rail, and sliding the lugs into the channel. Again using silicone adhesive to secure the caps in place (Fig. 10).



Acrylic 'Glass Look' Panels Cleaning & Care

Dirt can hardly cling to the smooth surfaces of the Acrylic 'Glass-Look' Panels, however proper maintenance will help the system to remain at its best for many years.

Dust is removed with water and some dishwashing liquid, using a soft, non-linting cloth or sponge. Never wipe the sheets dry and use only non-scouring agents for more intensive cleaning, e.g. ANTISTATIC PLASTICS CLEANER.

A Vileda[®] Microclean cloth slightly dampened with water only has a good, largely streak-free cleaning effect.

Should there ever be scratches on a Acrylic Glass-Look Sheet, these can be eliminated from the smooth surface without any problem. Treat the scratched area first with wet sandpaper of, say, grit 240, and then go over it with 400- to 600-grit paper. Finally polish the sheet with a soft cloth and ACRYLIC POLISHING PASTE or commercially available car polish, or else use a buffing wheel and polishing wax.



Unit 7, Normans Road, Sutton, St Helens WA9 4JQ

01744 811 545

www.cheshire-mouldings.co.uk